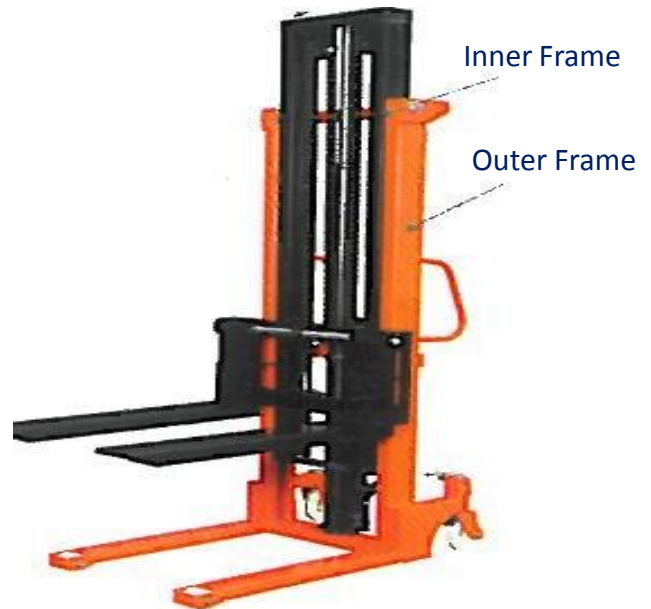


# HAND STACKER



## AHSE SERIES

## AHSEH SERIES

SERIES	AHSE HAND STACKER		
Model Number	HSE 1.0	HSE 1.5	HSE 2.0
Rated Lifting Capacity (kg)	1000	1500	2000
Maximum Lifting Height (mm)	1600	1600	1600
Lowered Height of Forks (mm)	85	85	85
Fork Length (mm)	900	900	900
Adjustable Width of Fork (mm)	320-740	320-740	320-740
Lifting Speed (mm/stroke)	20	18	14
Lowering Speed (mm/stroke)	Controllable		
Operation Power of Crank (kg)	24	28	32
Outer Width of Front Legs (mm)	690	690	690
Min. Refuel Volume for Fuel Tank	1.5 L	1.8 L	2.0 L
Front Wheel Size (mm)	Φ75 X 52	Φ75 X 70	
Rear Wheel Size (mm)	Φ180 X 50		
Overall Size (mm)	2030 X 780 X 1450	2040 X 780 X 1470	
Self Weight (kg)	150	220	250

AHSEH HAND STACKER	
HSEH 1.0	HSEH 1.5
1000	1500
2500 / 3000	
90/90	90/90
900/900	900/900
300-750	300-750
14	14
Controllable	
32	32
690	690
Φ75 X 52	Φ75 X 70
Φ 180 X 50	
1895 X 785 X 1470	2150 X 785 X 1470
220 / 240	250 / 280